

# PRODUCT GUIDE



SINCE 1986

# COMPANY OVERVIEW

---

Founded in 1986, Betram (Pty) Ltd has an impeccable record in the design and development of holistic, sustainable and ecologically friendly sanitation solutions.

Our **Holistic, Sustainable and Ecologically Friendly Sanitation Solution** with extensive **Health and Hygiene benefits** has resulted in the improvement of dignity and quality of life that our people rightfully deserve.

**Betram** has developed and patented a unique sanitation system for both Waterborne and Dry (Ventilated Improved Sub) Structures – **the Amalooloo**. We are industry experts and continue to invest substantially in research and development to ensure that we remain at the cutting edge of advanced sanitation technology.

We believe that our **Amalooloo System** is at the forefront of solving sanitation problems in **urban, peri-urban and rural areas**. It is an affordable, superior product without compromising on quality or style and includes the safe management, collection, storage, treatment and disposal of human excreta.

Our unique and **Dignified Separating Technology (UDS)** at source is one of the key components in the completion of the 'Sanitation Loop'.

**Improvement of dignity and quality of life that our people fully deserve.**



## STANDARD TOP STRUCTURE

## SUPERIOR TOP STRUCTURE

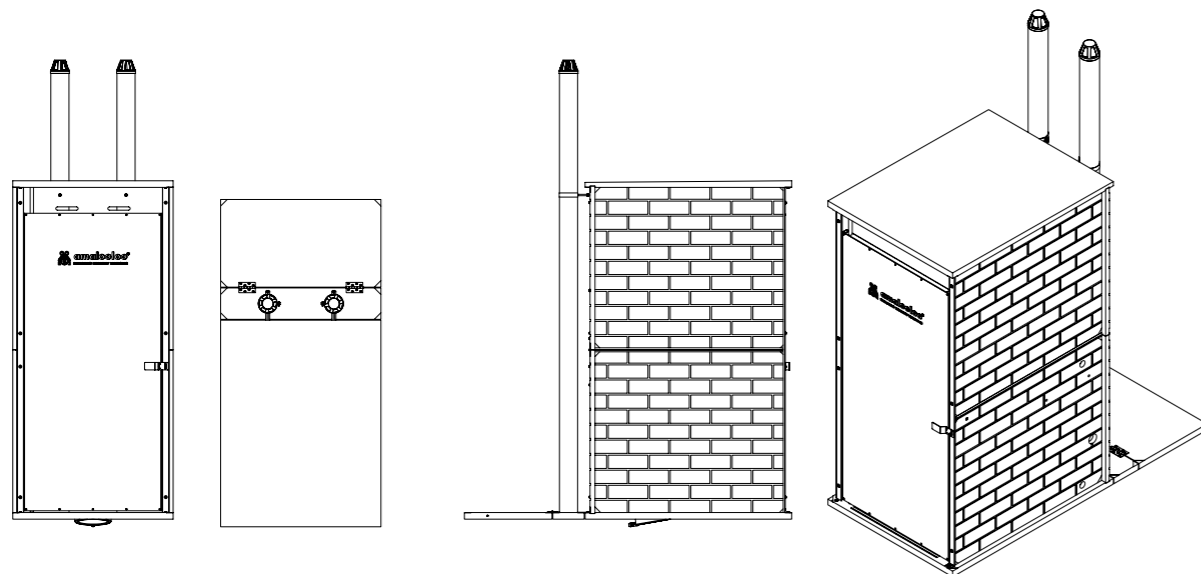
### 3D RENDERING



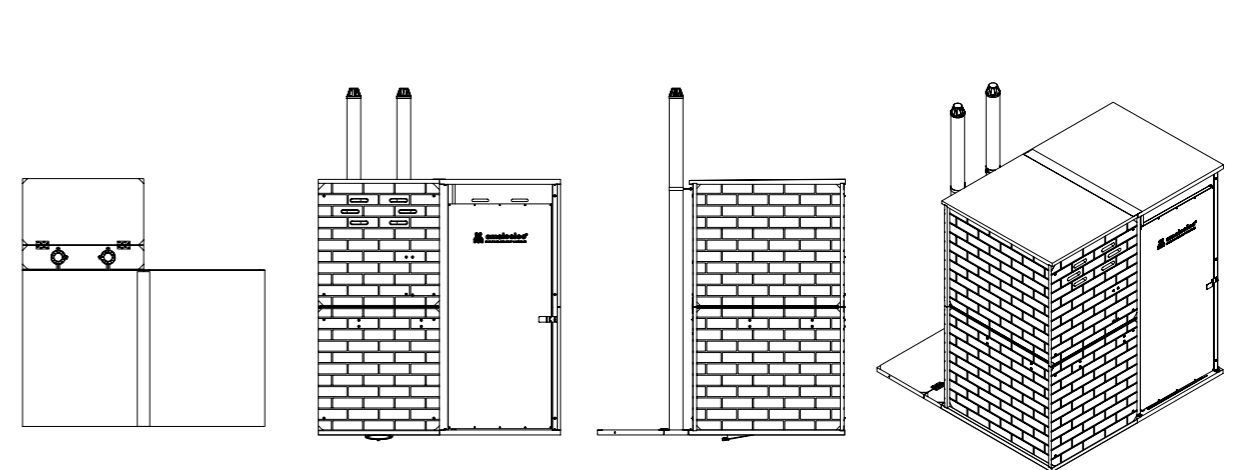
### 3D RENDERING



### TECHNICAL DRAWING



### TECHNICAL DRAWING

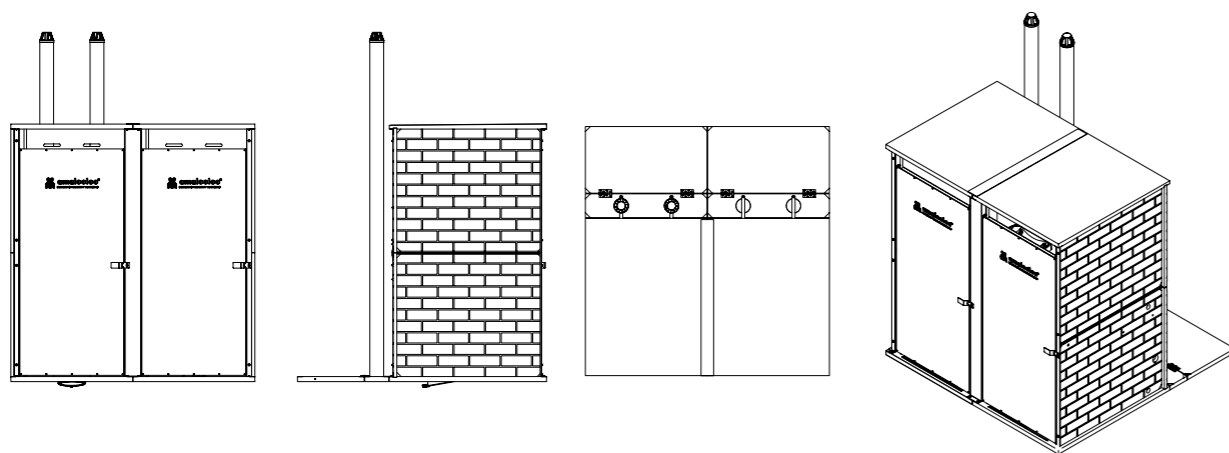


## DELUXE DOUBLE TOP STRUCTURE

### 3D RENDERING



### TECHNICAL DRAWING

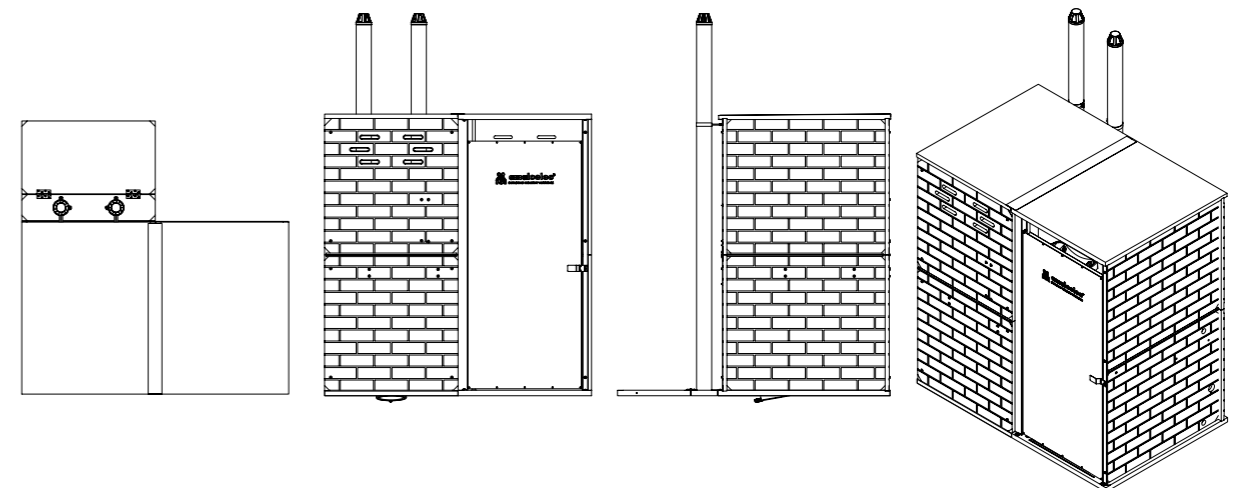


## DISABLE TOP STRUCTURE

### 3D RENDERING



### TECHNICAL DRAWING

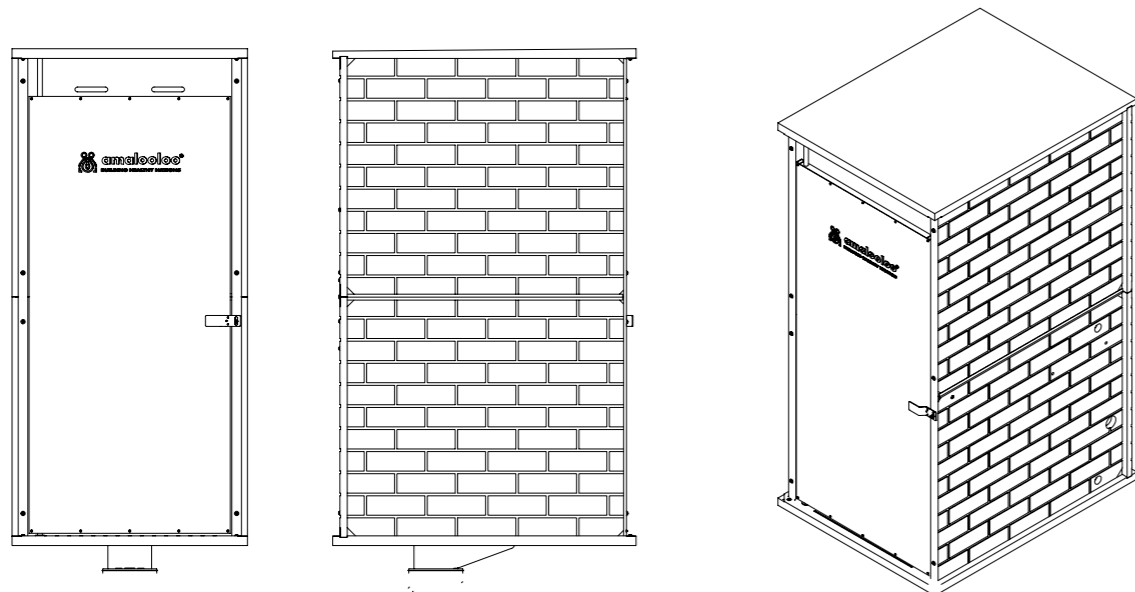


## DRY SQUAT PAN STRUCTURE

3D RENDERING

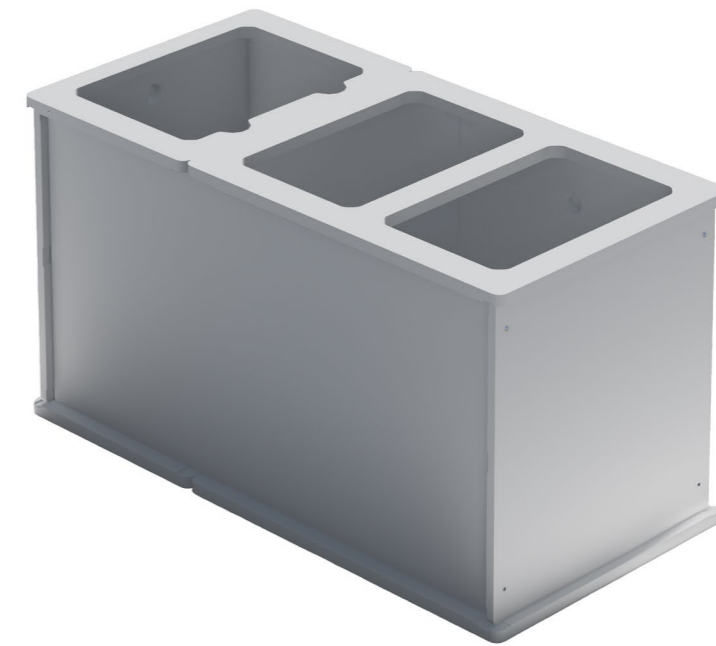


TECHNICAL DRAWING

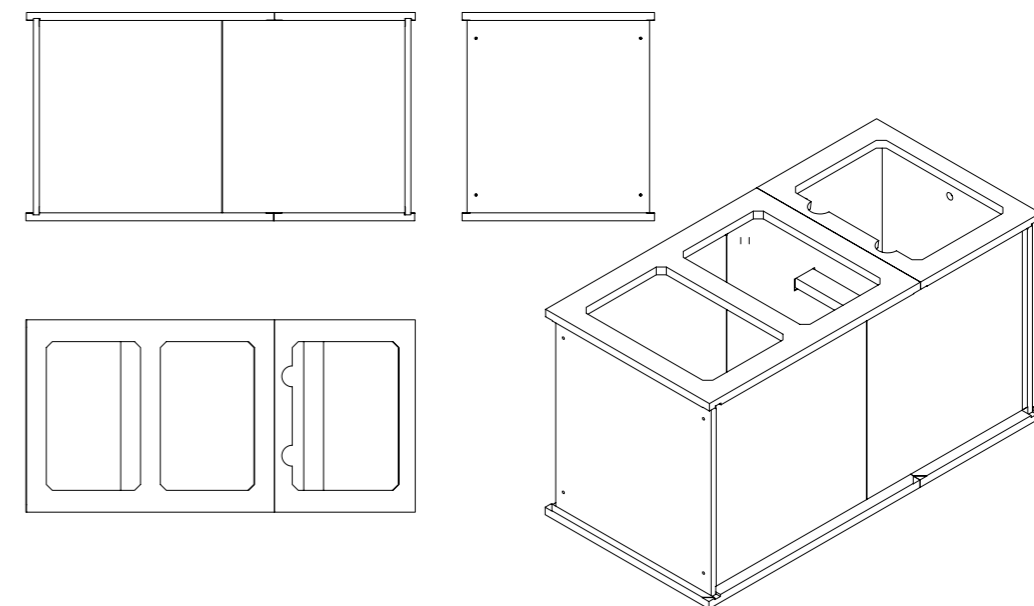


## SINGLE SUB STRUCTURE

3D RENDERING

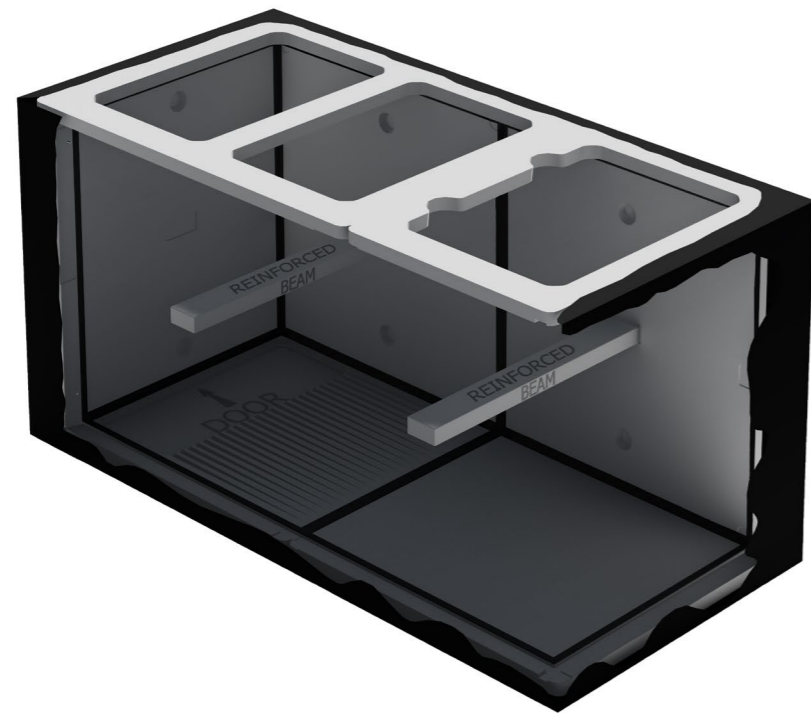


TECHNICAL DRAWING



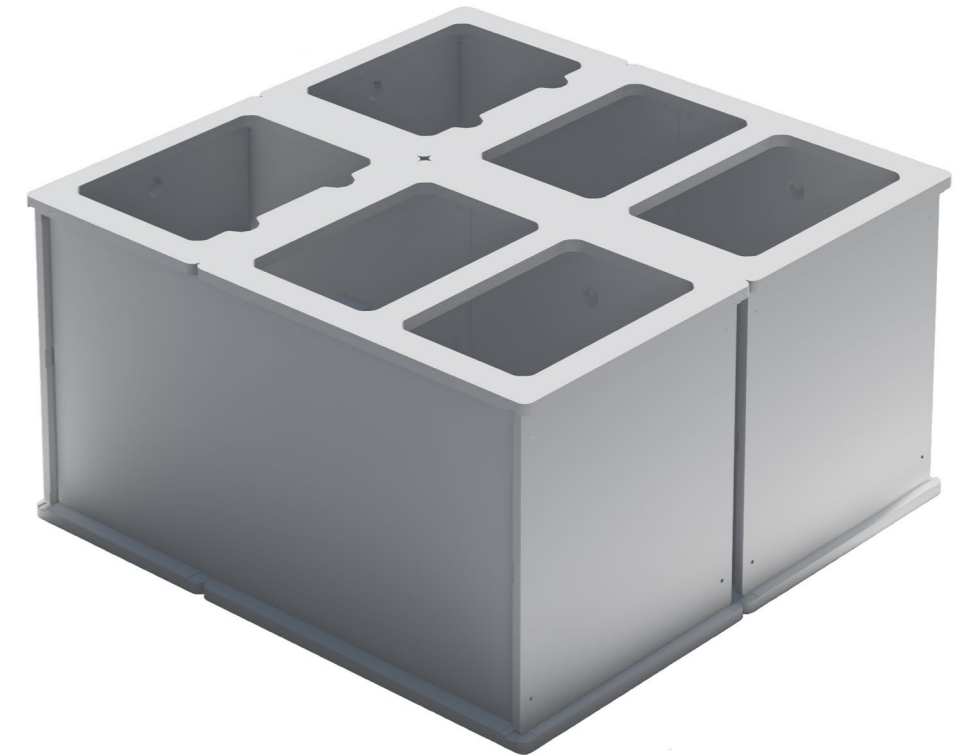
## SEALED SUB STRUCTURE

3D RENDERING

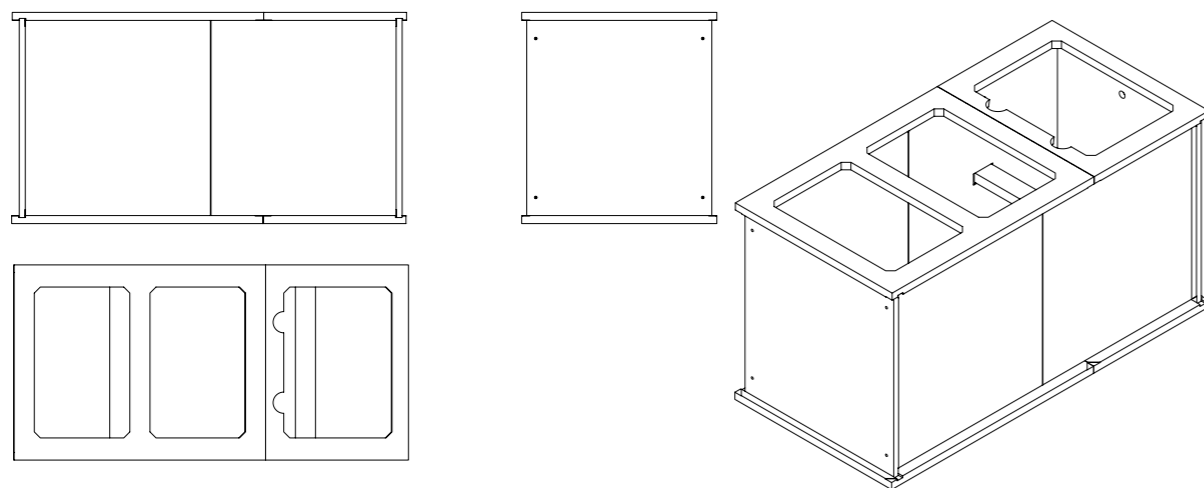


## DOUBLE VAULT SUB STRUCTURE SIDE-BY-SIDE

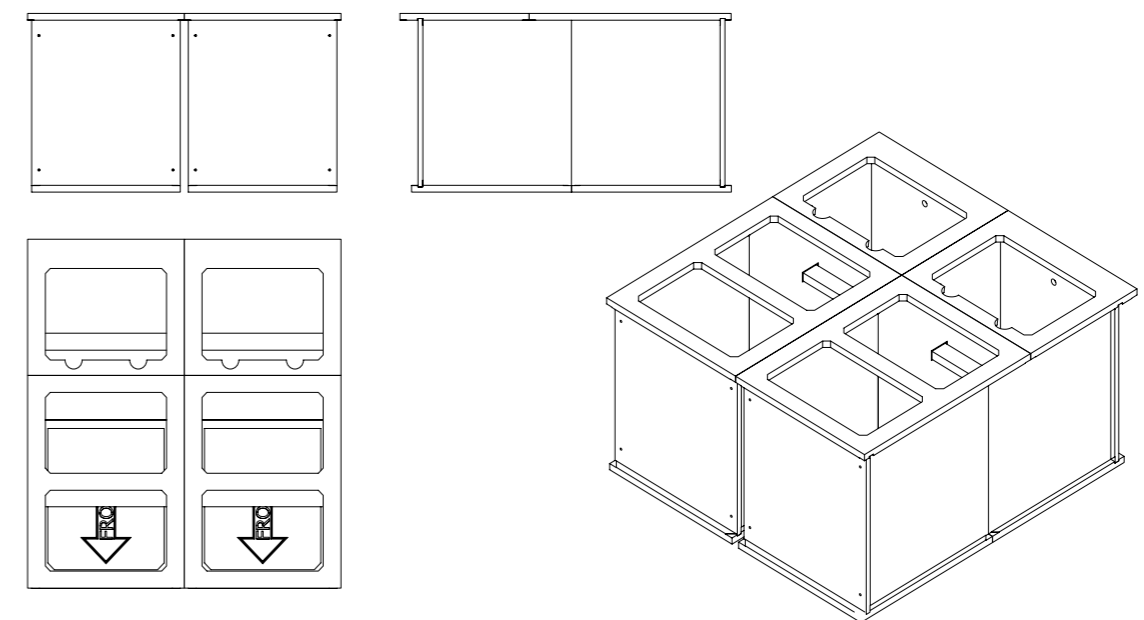
3D RENDERING



TECHNICAL DRAWING



TECHNICAL DRAWING

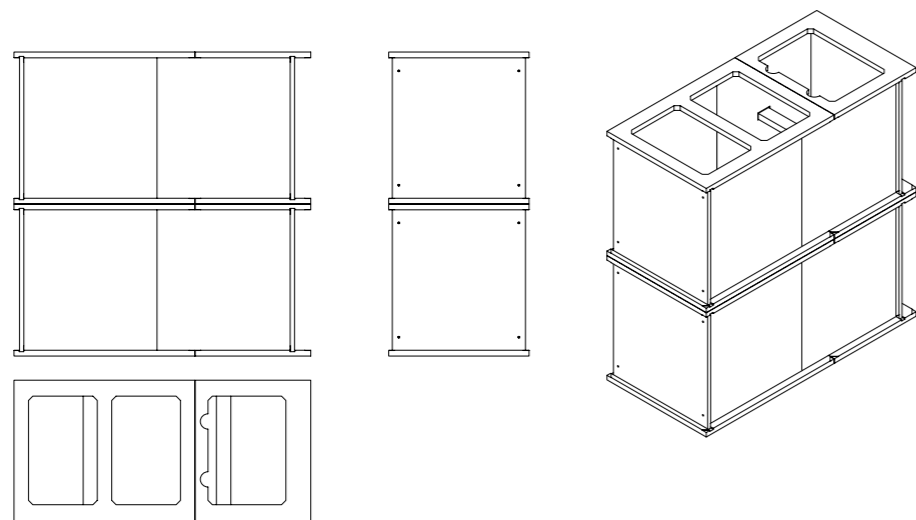


## DOUBLE SUB STRUCTURE OVER-AND-UNDER

3D RENDERING



TECHNICAL DRAWING

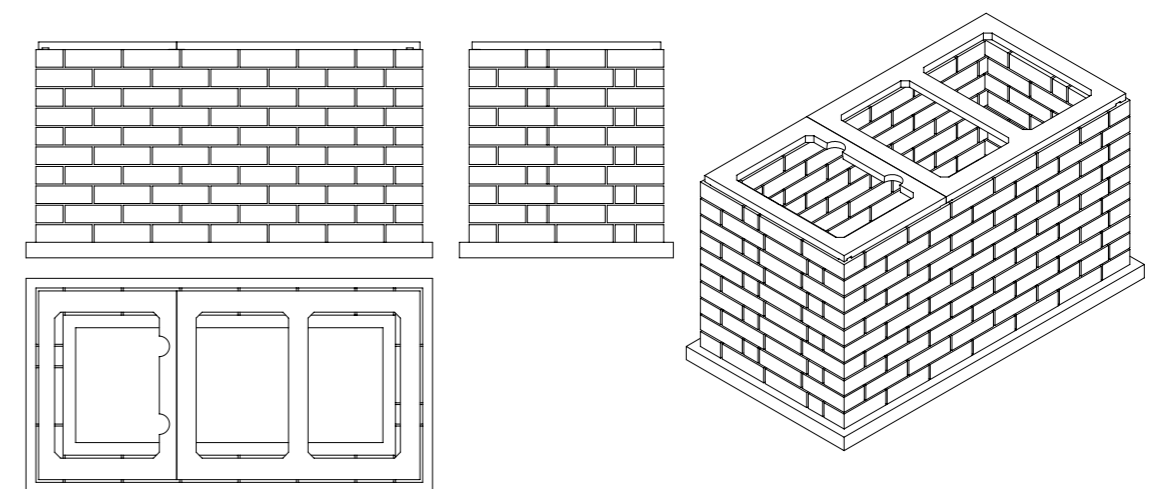


## BRICK SUB STRUCTURE

3D RENDERING



TECHNICAL DRAWING

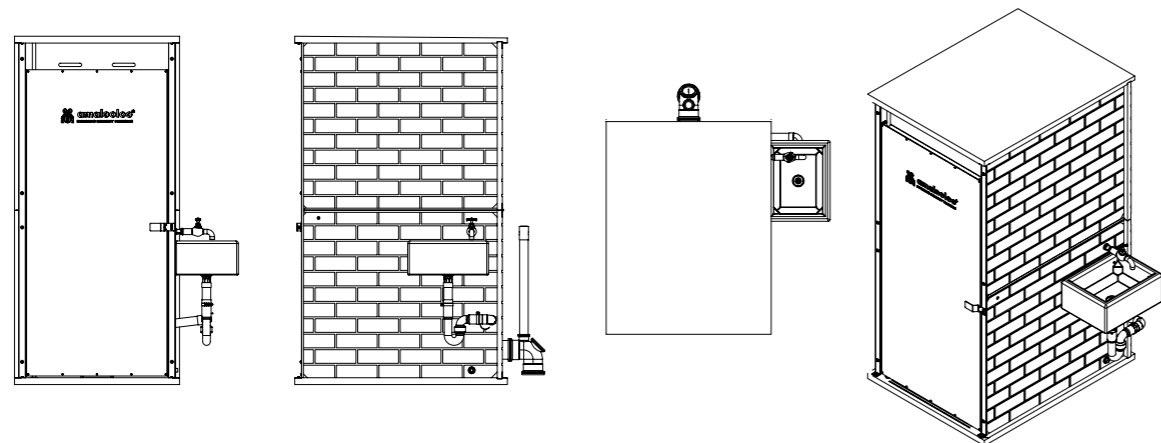


# WATERBOURNE STRUCTURE

## 3D RENDERING



## TECHNICAL DRAWING

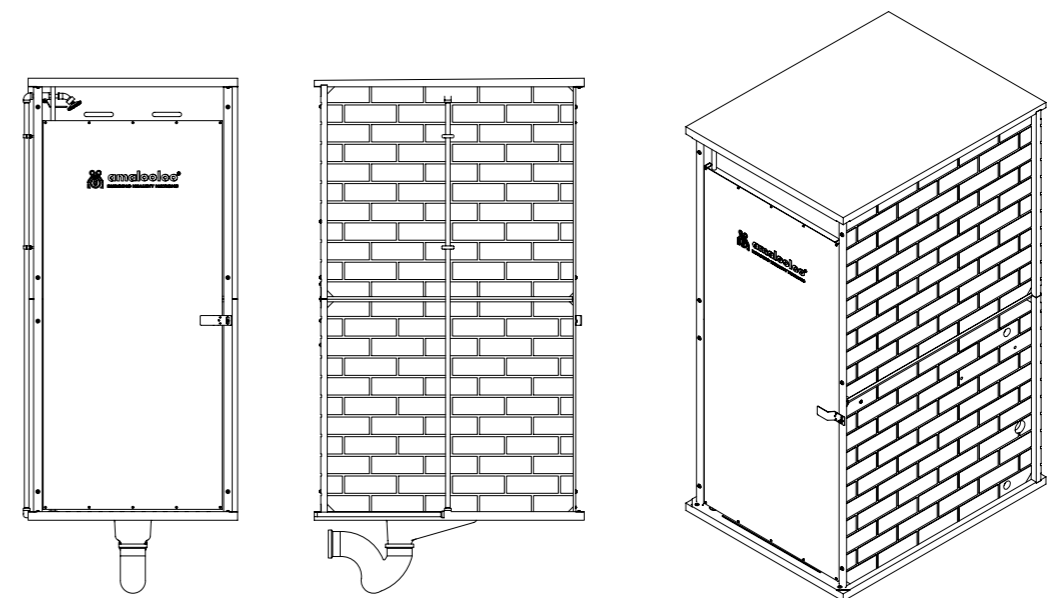


# LOW FLUSH SQUAT PAN STRUCTURE

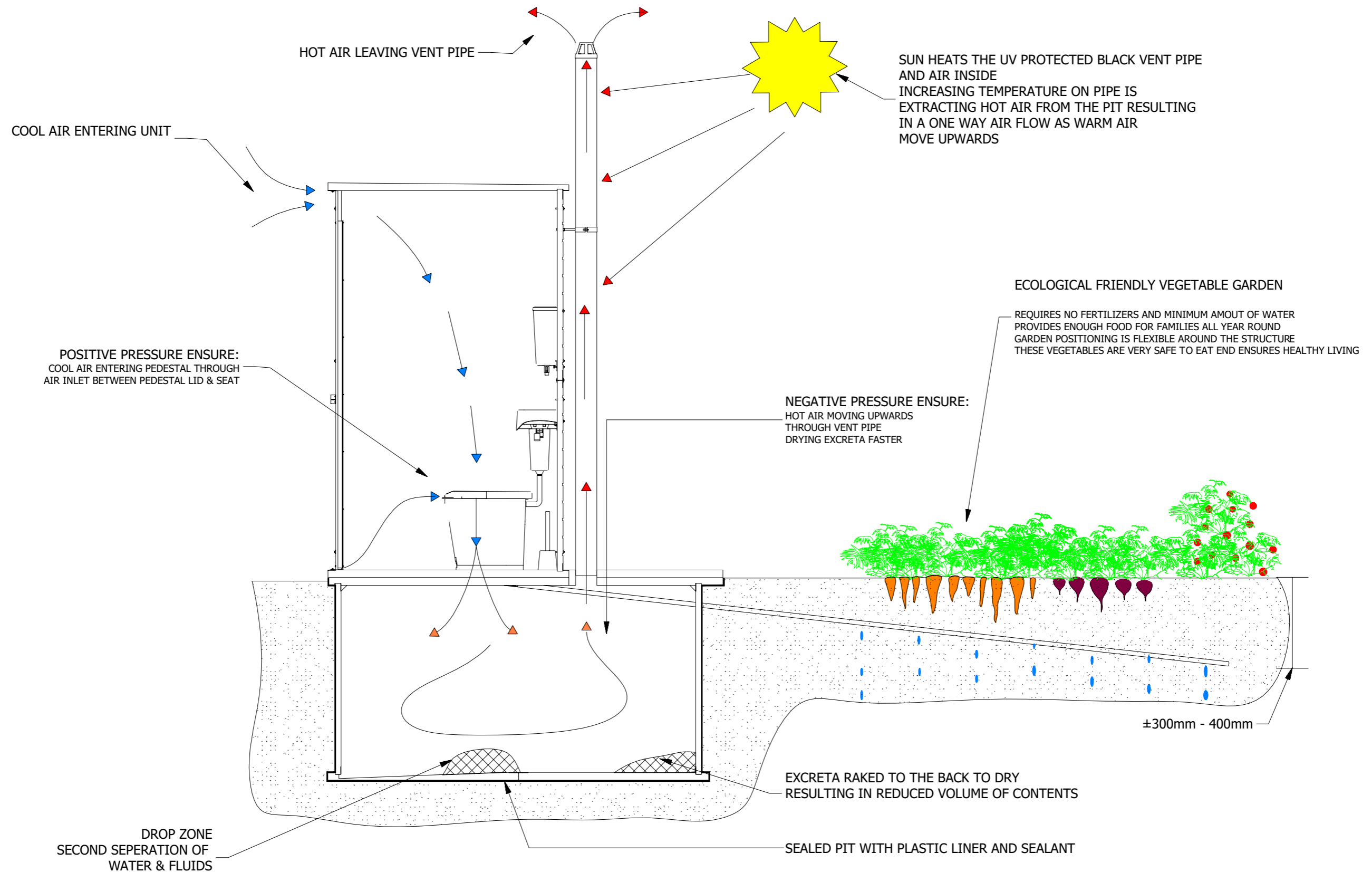
## 3D RENDERING

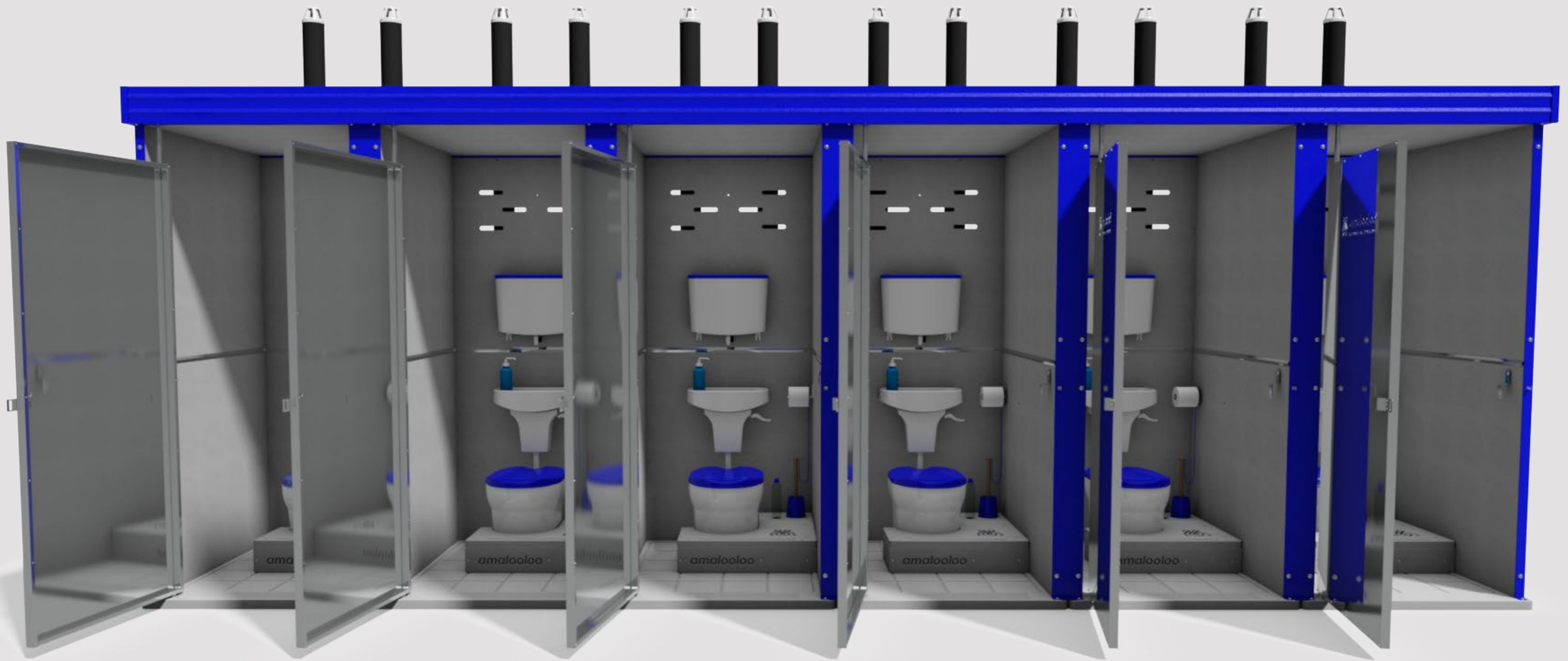


## TECHNICAL DRAWING



# THE AMALOOO ECOLOGICALLY FRIENDLY DRY SANITATION TECHNOLOGY





[info@amalooloo.co.za](mailto:info@amalooloo.co.za)  
[www.amalooloo.co.za](http://www.amalooloo.co.za)

**HEAD OFFICE**

T: 012 333 8326  
F: 012 333 8418

9 Steenbok Street  
Koedoespoort Industrial  
Pretoria  
0186

**BLOEMFONTEIN OFFICE**

T: 051 432 9977  
F: 086 548 8869

10 Nico Le Roux Street  
Bloemfontein  
Freestate  
9300

**betram**<sup>®</sup>

Patented Waterborne and Dry Sanitation Solutions